

# Z-DENS

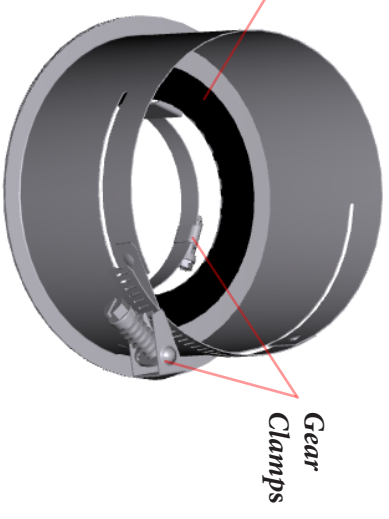
## B-Vent Cap Supplemental Instructions#



*The following caps are designed to secure Z-DENS flex to rigid adaptor (ZZDFRA\_) or Z-DENS rigid pipe or elbow all sold separately to b-vent and are for use with Z-DENS round chimney covers (ZZDRCC\_). In this application Z-DENS flex lines an used b-vent to vent a category IV appliance or Z-DENS rigid brings combustion air to appliance.*

**Z-DENS P/N**  
ZZD4BV2 for 4" B-Vent & 2" Z-DENS  
ZZD5BV2 for 5" B-Vent & 2" Z-DENS  
ZZD5BV3 for 5" B-Vent & 3" Z-DENS  
ZZD6BV3 for 6" B-Vent & 3" Z-DENS

Foam Tape is shipped loose and should be applied on inside of cap as shown for Z-DENS rigid pipe or elbow



### DEFINITIONS

#### WARNING

Indicates a potentially hazardous situation which, if ignored, can result in death, serious injury or substantial property damage.

### SUPPLEMENTAL INSTRUCTIONS

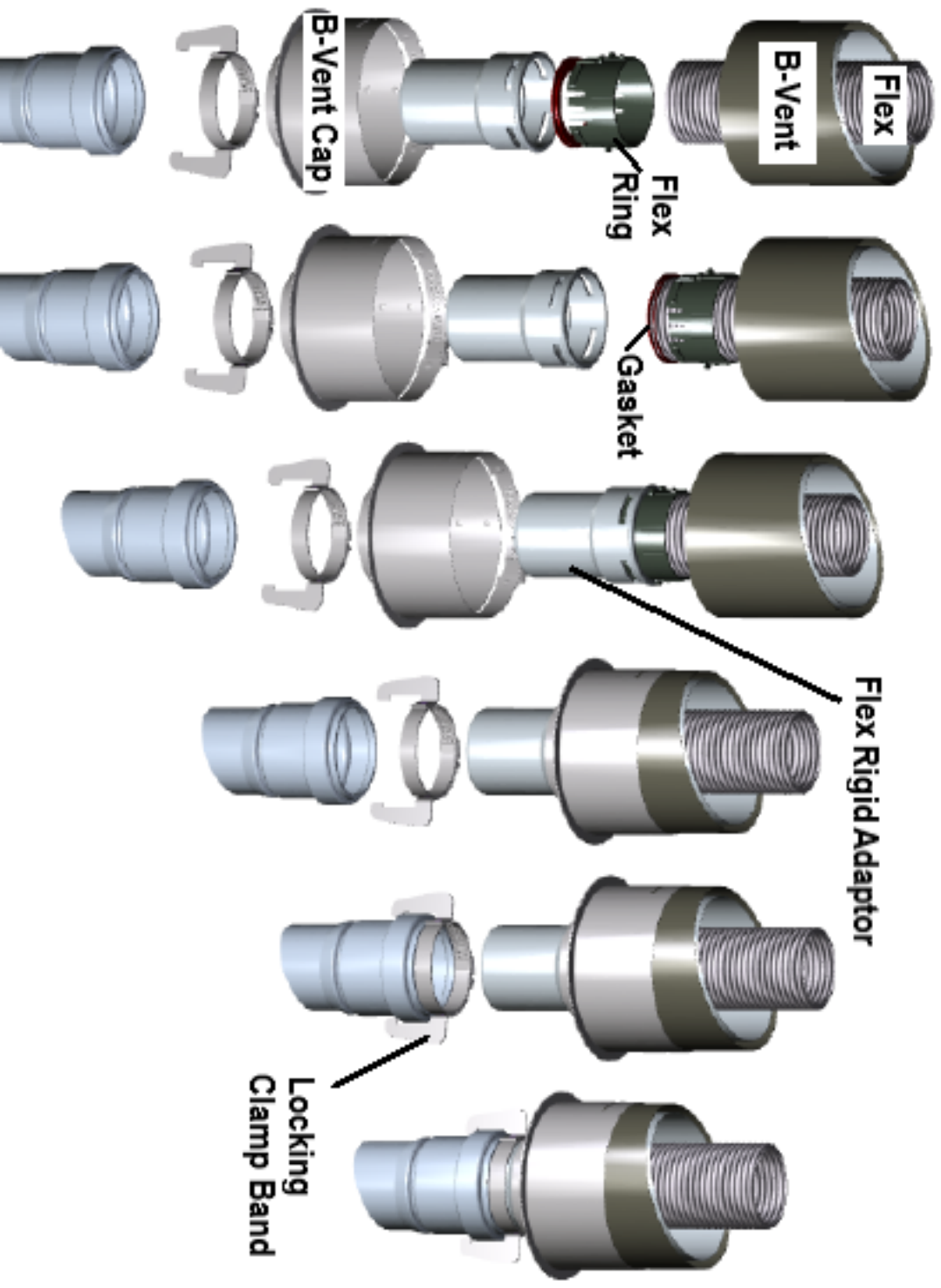
#### WARNING

These instructions are to be used to supplement Z-Flex Z-DENS Installation and Maintenance Instructions.

A Qualified installer must install venting system in accordance with all these instructions, local building codes or in absence of local codes latest edition of National Fuel Gas Code; ANSI Z223.1/NFPA 54 in USA or CAN/CGA-B149.1 or .2 in Canada. If there is any conflict refer to appliance manufacturer's installation instructions.

### Flex to Rigid Connector (ZZDFRA\_) Instructions - See images on page 2

1. Follow Z-DENS Flex Installation Manual to install flex, spacers and round chimney cover through unused b-vent. NOTE Z-DENS bends must not exceed 45 degrees.
2. Where flex exits b-vent pipe or flow through section of tee, install Z-DENS Flex Ring in the third groove of flex than install Z-DENS Flex Gasket in first groove of flex.
3. Apply Z-DENS Lubricant to gasket and install Z-DENS Flex to Rigid Adaptor to Z-DENS Flex Ring until 4 snap lock click.
4. Install Flex/Flex Adaptor through hole in Z-DENS B-Vent Cap and secure to cap by tightening lower cap gear clamp.
5. Install cap over b-vent and secure cap by tightening top gear clamp around b-vent.
6. Secure Z-DENS rigid pipe or elbow to male end of Z-DENS Flex to Rigid Adaptor by tightening gear clamp on Z-DENS Locking Clamp Band.

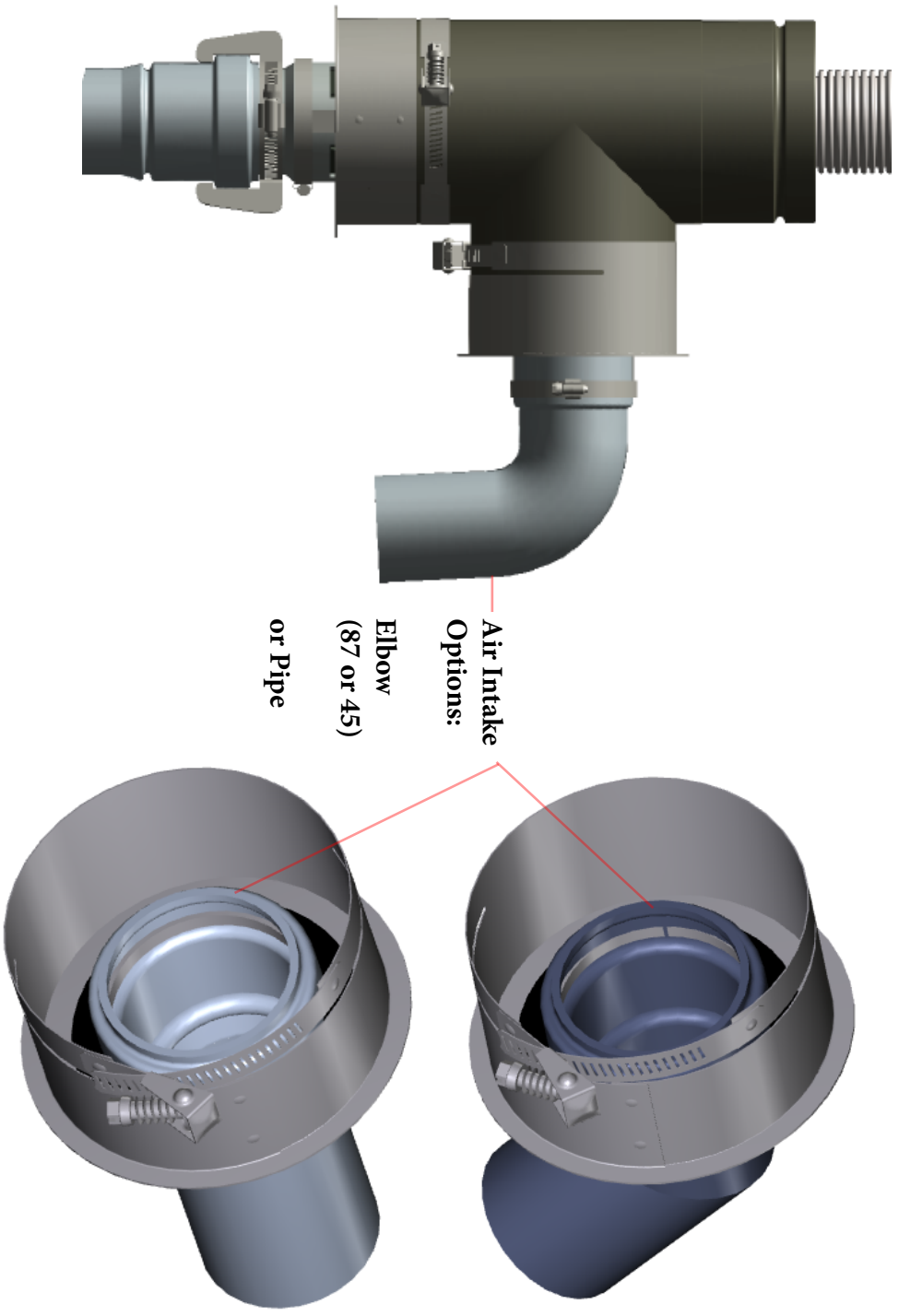


### Rigid Pipe or Elbow Instructions - See images on page 3

1. Follow Z-DENS Flex Installation Manual to install flex, spacers and round chimney cover through unused b-vent. NOTE Z-DENS bends must not exceed 45 degrees.
2. Where flex exits b-vent pipe or flow through section of tee, install Z-DENS Flex Ring in the third groove of flex than install Z-DENS Flex Gasket in first groove of flex.
3. Apply Z-DENS Lubricant to gasket and install Z-DENS Flex to Rigid Adaptor to Z-DENS Flex Ring until 4 snap lock click.
4. Install Flex/Flex Adaptor through hole in Z-DENS B-Vent Cap and secure to cap by tightening lower cap gear clamp.
5. Install cap over b-vent and secure cap by tightening top gear clamp around b-vent.
6. Secure Z-DENS rigid pipe or elbow to male end of Z-DENS Flex to Rigid Adaptor by tightening gear clamp on Z-DENS Locking Clamp Band.

# Z-DENS

## B-Vent Cap Supplemental Instructions#



- # Information subject to change without notice.
- # Install carbon monoxide detector and alarms in accordance with local codes.
- # Contact Z-Flex for any additional information.

**Canada:** 452 Atwell Drive, Etobicoke, ON M9W 5C3 tel: 416.679.0045 • fax: 416.679.0051  
**USA:** 20 Commerce Park North, Bedford, New Hampshire tel: 603.669.5136 800.654.5600 • fax: 603.669.0309

01NSTZDBV rev 6.2021