

Z-Vent[®] Concentric



2SVCE__ (45,90)



2SVCP__

ENGINEERED FOR SAFETY AND EASE OF INSTALLATION

Unitized construction eliminates field assembly of separate vent and air intake pipes.

Precision pipe and fittings are engineered for optimum appliance performance.

- **Patented sealing system ensures safe exhaust of combustion gases**
- **Design allows for ease of installation with professional results**
- **Designed for reduced clearance installations**
- **Vertical or horizontal installations**
- **Allows for a single wall penetration**

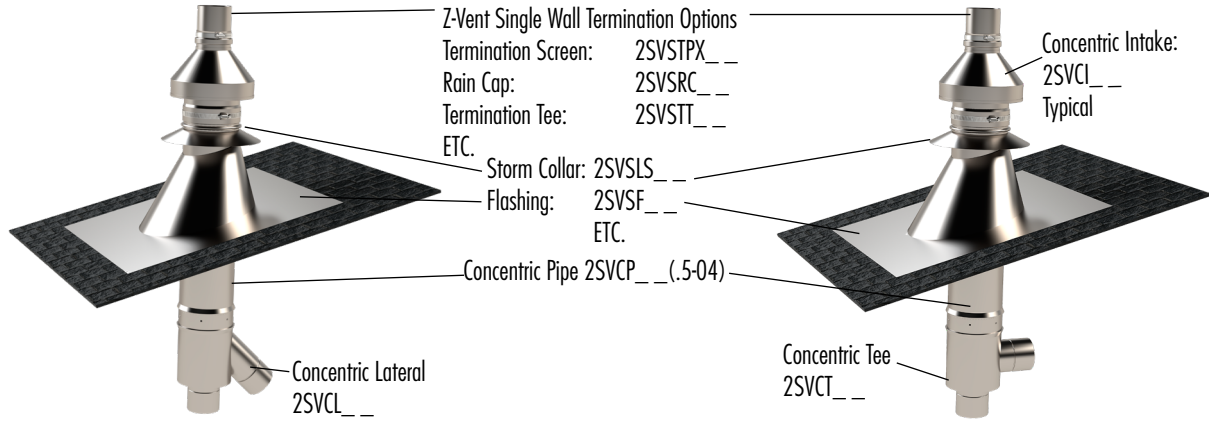
Typical applications:

- **Tankless water heaters**
- **Boilers**
- **Water heaters**
- **Space heaters**

Z-Vent[®] Concentric is listed to UL1738 and ULC S636 as a venting system for Category I, II, III and IV gas burning appliances.

Z-Vent[®] Concentric is UL rated for a maximum flue gas temperature and pressure of 550°F and 8" W.C.

Typical Concentric Termination Options



Vertical with Lateral 45° Wye

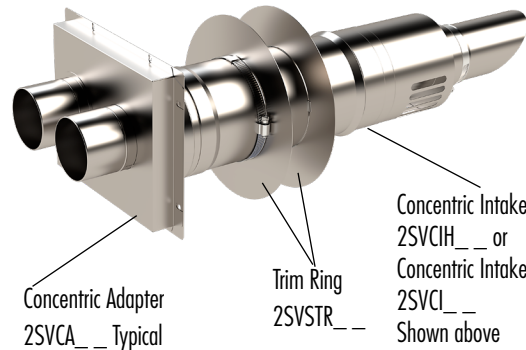
Vertical with Tee



CPVC Pipe
2SVSACPVCF_

CPVC Coupling
2SVSACPVC_

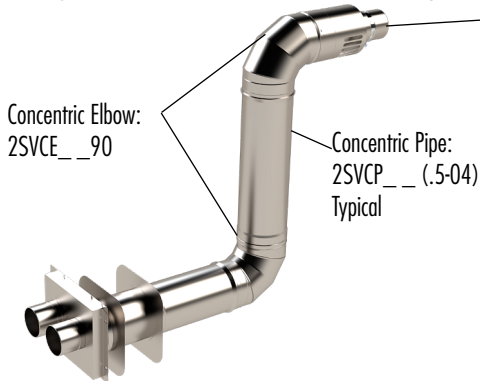
Single Wall Vent and Air Intake Adapters



Concentric Adapter
2SVCA_ Typical

Concentric Intake Horizontal
2SVCIH_ or
Concentric Intake
2SVCI_
Shown above

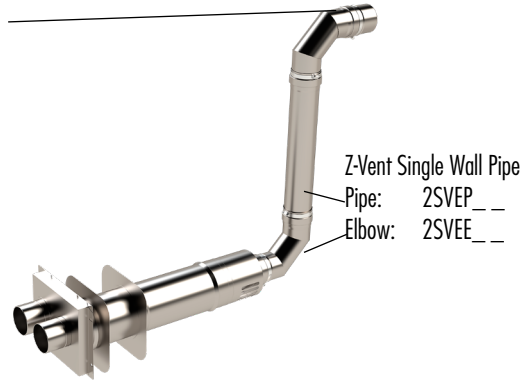
Horizontal



Concentric Elbow:
2SVCE_90

Concentric Pipe:
2SVCP_ (.5-04)
Typical

Horizontal with Concentric Snorkel



Z-Vent Single Wall Pipe
Pipe: 2SVEP_
Elbow: 2SVEE_

Horizontal with Single Wall Vent Snorkel

Concentric utilizes a double wall screw joint design.

Special Order Concentric Vent/Air Diameters in Inches:

3/4, 3/5, 4/6, 4/7, 5/7, 5/8, 6/8, 6/9, 7/10, 8/11 or 8/12

Z-Vent® Concentric inner vent and outer wall is manufactured from super ferritic UNS S44735 (i.e. AL29-4C) and 304 stainless steel respectively.

Visit: [Z-VentBLU Dimensional Data](#) for 2.4/4 diameters

Visit: [Z-Vent Dimensional Data](#) for a complete list of concentric parts and single wall vent termination options.

Z-Vent® Concentric can be installed from appliance to termination or termination only.

Z-Vent® Concentric must be approved by appliance manufacturer.



Vertical Concentric Termination



Horizontal Concentric Termination



Z-FLEX®

The Flexible Venting Solutions Specialist

Z-FLEX®, part of the Novaflex Group of companies, is the leading manufacturer of specialty venting systems for furnaces, boilers, water heaters, oil heaters, fireplaces, and more.

Z-FLEX® has been providing flexible answers to gas oil, pellet and wood venting applications since 1979. We have pioneered flexible chimney liner solutions and gas vent using variety of innovations in materials and construction which have led to products that deliver:

- Superior performance and increased efficiency
- Easier handling and faster, simpler installation
- Greater reliability, safety and increased service life

To that, we add responsive customer service and expert technical support.

The NovaFlex Group® is a privately held company committed to continuous advancement in venting, HVAC, hose and connector solutions. NovaFlex® has one of the broadest product ranges available in the hose and ducting marketplace as well as in the HVAC, Industrial Venting and Hose Industries and in Commercial Exhaust Venting Systems.

AL 29-4C® is a registered trademark of ATI Properties, Inc.

The information provided within is for informational purposes only. We have made every effort to ensure the accuracy of the provided information and assume no responsibility for any loss or damage due to errors or omissions or to the use or misuse of any information supplied. It is impossible to test all products under all conditions to which they might be subjected in the field. It is therefore the buyer and/or end users' responsibility to test all products under the conditions that duplicate the service conditions prior to installation. All improvements, all specifications are subject to change without prior notice. It is the buyer and/or end users' responsibility to review our complete Terms and Conditions of Sale located on our web sites at: www.novaflex.com | www.z-flex.com | www.flexmaster.com.



U.S.A.
20 Commerce Park North
Bedford, New Hampshire 03110-6911
tel: 603.669.5136 fax: 888.889.3539

CANADA
452 Attwell Drive
Etobicoke, ON M9W 5C3
tel: 416.679.0045 fax: 416.679.0051

www.z-flex.com email sales@z-flex.com

Ver: 04.2026