

Z-VentBLU[®] Concentric

Engineered for safety and ease of installation

Z-VentBLU[®] Concentric is listed to UL1738 and ULC S636 as a venting system for Category I, II, III, and IV gas burning appliances.

Z-VentBLU[®] Concentric is UL rated for a maximum flue gas temperature of 550°F and 8" W.C.

- **Patented sealing system ensures safe exhaust of combustion gases**
- **Patented design allows for ease of installation and professional results**
- **Designed for reduced clearance installations**
- **Vertical or horizontal installations**
- **Allows for a single wall penetration**

Typical applications:

Tankless water heaters
Boilers
Water heaters
Space heaters

Unitized construction eliminates field assembly of inner and outer flues.

Precision pipe and fittings have been engineered for optimum appliance performance. Z-VentBLU[®] Concentric provides quick, positive, fastener free installation.



2ZBCE2.44(45,90)

2ZBCP2.44(.5-04)



The information provided within is for informational purposes only. We have made every effort to ensure the accuracy of the provided information and assume no responsibility for any loss or damage due to errors or omissions or to the use or misuse of any information supplied. It is impossible to test all products under all conditions to which they might be subjected in the field. It is therefore the buyer and/or end users' responsibility to test all products under the conditions that duplicate the service conditions prior to installation. All improvements, all specifications are subject to change without prior notice. It is the buyer and/or end users' responsibility to review our complete **Terms and Conditions of Sale** located on our web sites at: www.novaflex.com | www.z-flex.com | www.flexmaster.com.

03.2026

IN USA

Bedford, New Hampshire

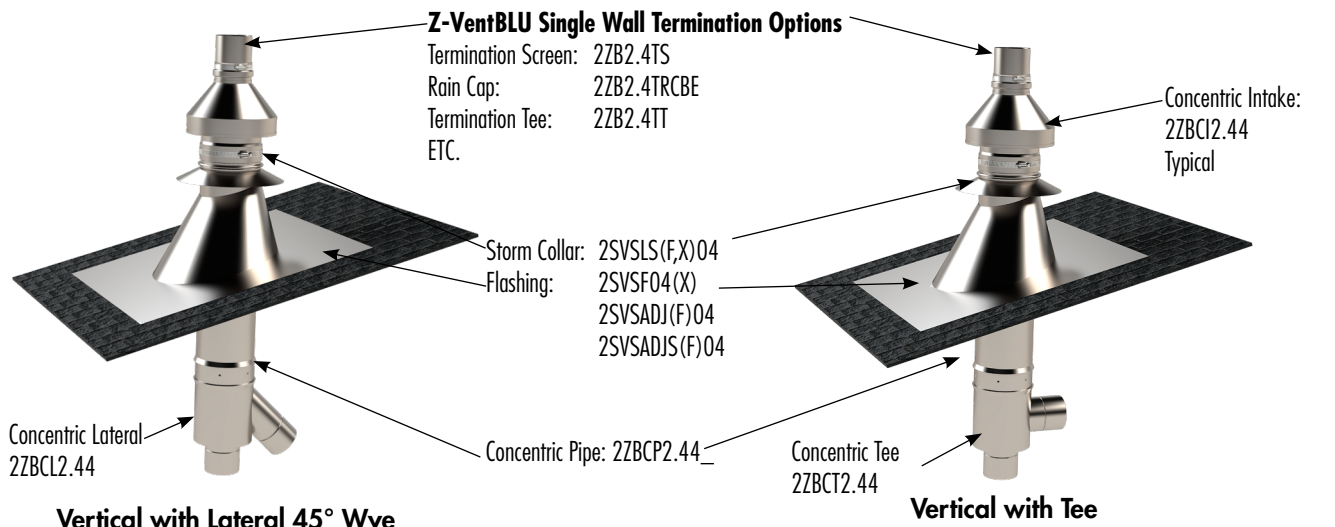
20 Commerce Park North
Bedford, NH 03110-6911
tel (603)669-5136
fax (603)669-0309
800-654-5600

IN CANADA

Toronto, Ontario

452 Attwell Drive
Etobicoke, ON M9W 5C3
tel (416) 679-0045
fax (416) 679-0051

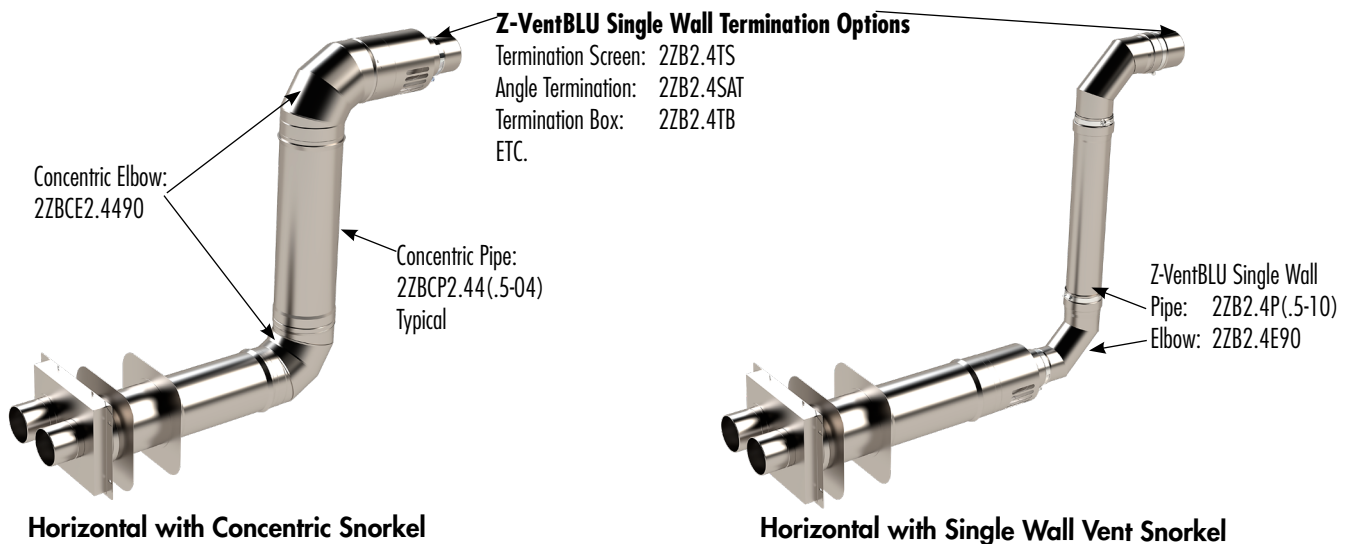
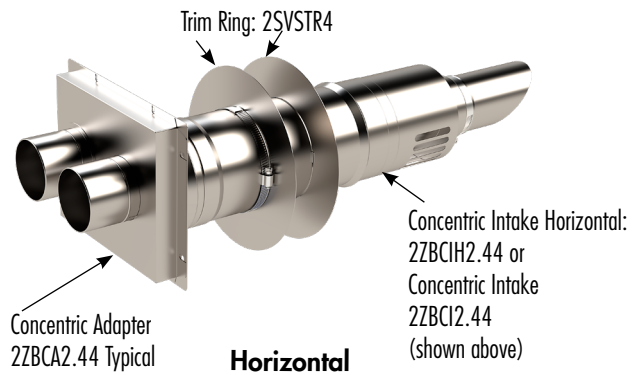
Typical Concentric Termination Options



Single Wall Vent and Air Intake Adapters



CPVC Pipe: 2SVSACPVCF2.4
CPVC Coupling: 2SVSACPVC2.4



Concentric utilizes a double wall screw joint design.
Special Order Concentric Vent/Air Diameters in inches: 2.4/4

Z-VentBLU® Concentric inner vent and outer wall is manufactured from stainless steel.

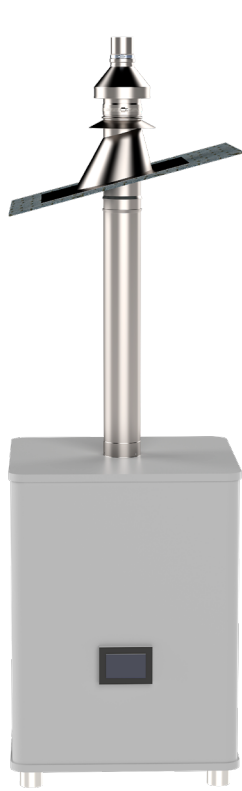
Visit: [Z-VentBLU® Dimensional Data](#) for a complete list of concentric parts and single wall vent termination options.

Visit [Z-Vent® Dimensional Data](#) for diameters 3/4" through 8/12"

Z-VentBLU® Concentric can be installed from appliance to termination or termination only.

Z-VentBLU® Concentric must be approved by appliance manufacturer.

Vertical Concentric Termination



Horizontal Concentric Termination

